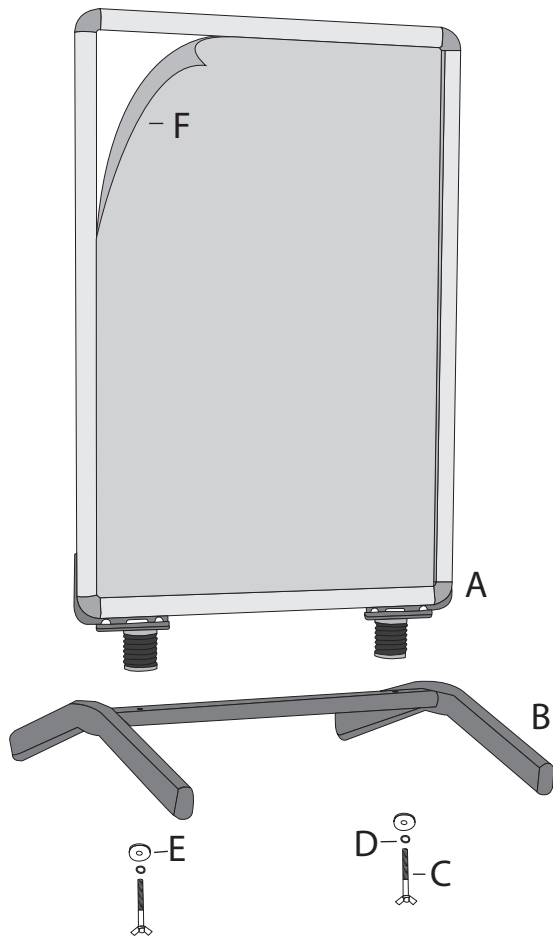
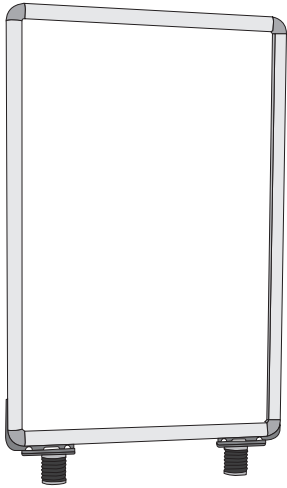

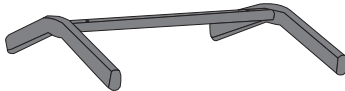


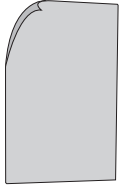
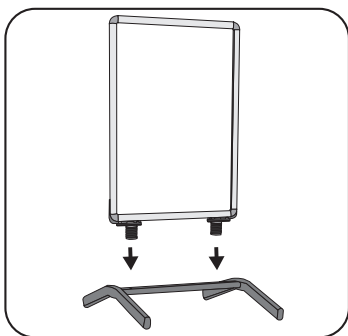


# ASSEMBLY INSTRUCTIONS

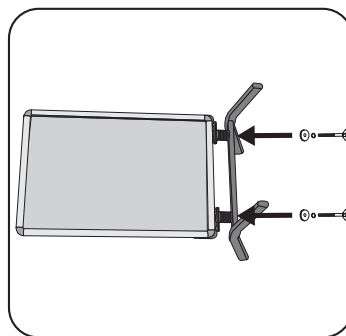
## COMPONENTS:



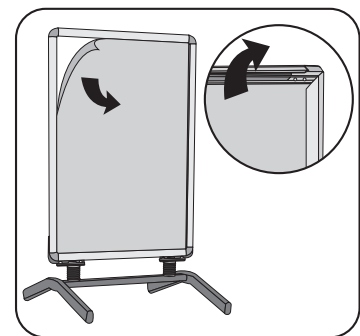
 <p>A</p> <p>1 PC</p>	 <p>C</p> <p>2 PCS</p>
 <p>B</p> <p>1 PC</p>	 <p>D</p> <p>2 PCS</p>
	 <p>E</p> <p>2 PCS</p>
	 <p>F</p> <p>2 PCS</p>



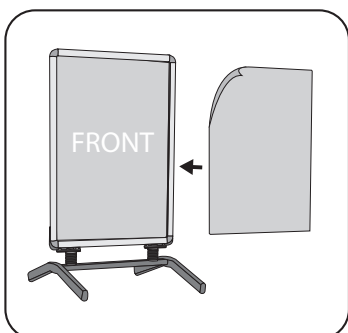
**1** Line the spring supports with the holes on the steel support base.



**2** Resting the poster frame and steel base on the ground, use the included fixings to attach the poster frame to the steel support feet.



**3** Open the poster frame and remove the protective graphic cover.



**4** Place the graphic in the frame, followed by the protective graphic cover. Snap the profile closed. Repeat on other side for additional graphic.