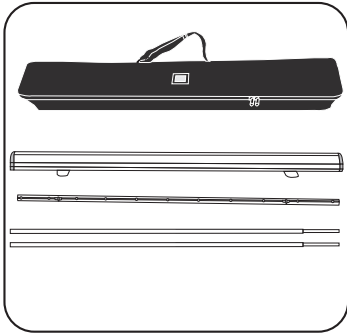
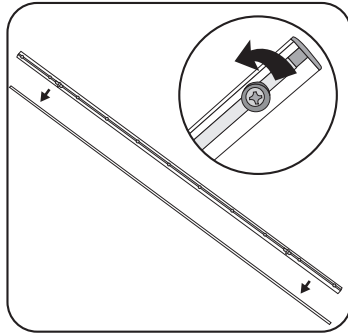


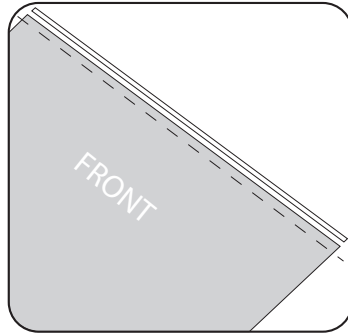
INSTALLATION STEPS



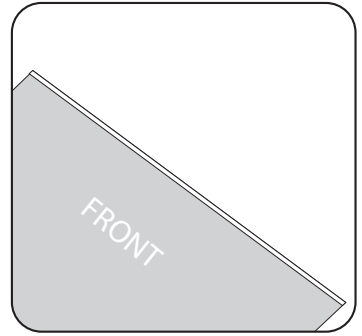
- 1** The box contains:
- A carry bag
 - Top bar with adhesive rail inside
 - Support poles
 - The base



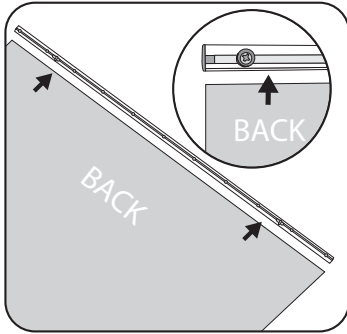
- 2** Slightly loosen the knobs on the top bar. This will release the bar with the adhesive strip located inside.



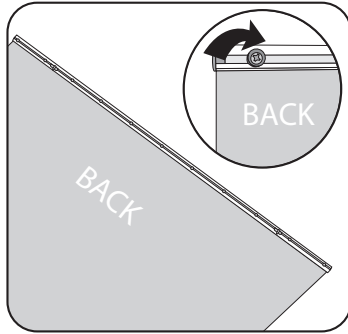
- 3** Align adhesive top bar to the top of the graphic banner, printed side up, with the assistance of another person. **DO NOT REMOVE PAPER BACKING UNTIL ADHESIVE BAR IS IN PROPERLY POSITIONED.**



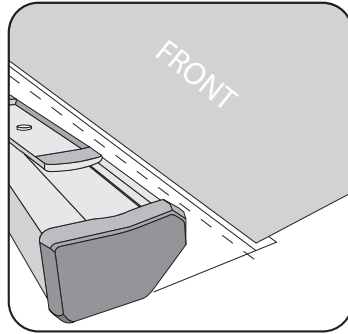
- 4** With bar in position, remove strip of paper from adhesive bar. Firmly and evenly press the bar onto the printed banner, as you pull away the strip of paper, with assistance.



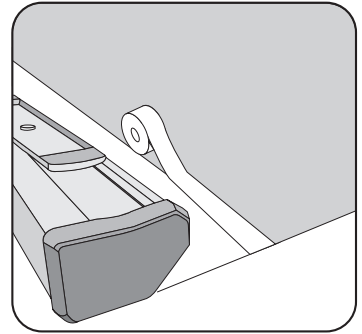
- 5** Once adhesive bar is secured to the top of the banner, insert it into the rail in the top bar. Ensure the tightening knobs are facing the back of the banner.



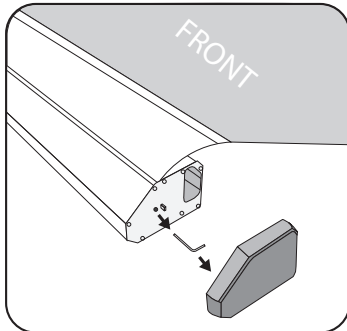
- 6** Tighten all 11 knobs to secure the banner and metal bar in place.



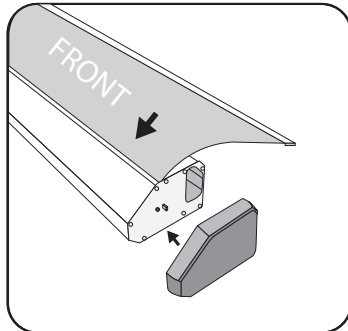
- 7** Peel the paper off the adhesive along the edge of the leader. Ensure the bottom of the banner is straight along the adhesive, and attach the banner, front facing up, with assistance.



- 8** Secure the banner to the leader with additional tape on both sides.



- 9** Remove the right end cap from the base to expose the locking pin. With each person gripping the banner against the base on each end pull the locking pin.



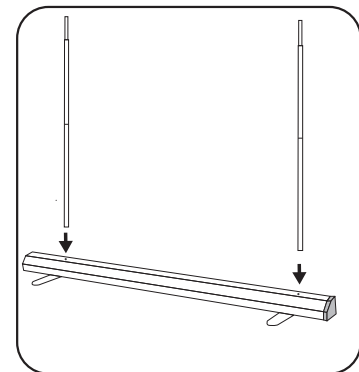
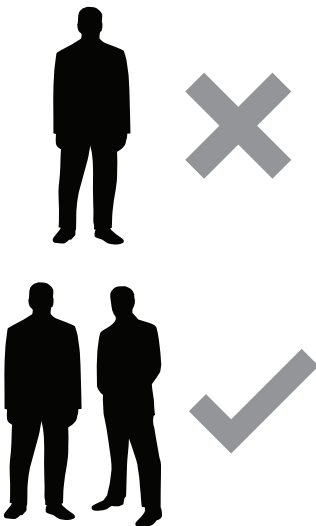
- 10** Carefully allow the banner to retract into the base, keeping it even distance from the edge of the base on both sides. Place the right end cap back onto the base.

CAUTION:
PLEASE READ ALL INSTRUCTIONS BEFORE ATTEMPTING INSTALLATION. DO NOT INSTALL BANNER ALONE. INSTALLATION REQUIRES ASSISTANCE.

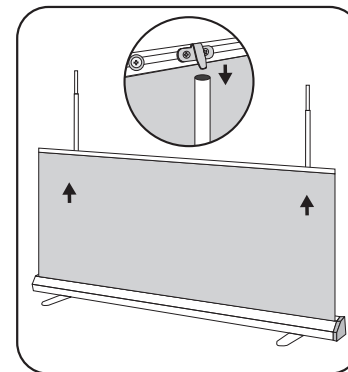
When done installation, leave lower portion of this sheet with the stand for the end user



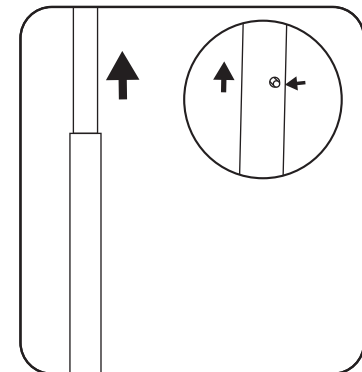
SET-UP STEPS



- 1** Assemble poles and insert into the holders found on the base.



- 2** Standing behind the stand, with another person, hold the top bar and pull up the banner to the top of the poles in tandem. Rest the holders on the top bar in the poles.



- 3** In tandem with another person, hold the bottom portion of the telescoping pole while extending the top portion, and the pole will click into place. For taller graphics push in the button and repeat.

IMPORTANT: DO NOT ASSEMBLE OR DISASSEMBLE DISPLAY WITHOUT ASSISTANCE. When disassembling display, tilt the clamp top bar back on a slight angle and lift off the top off the pole, then while holding the clamp top bar, carefully and slowly allow the banner to retract straight into the base, ensuring it does not wander over to either side while it is retracting.