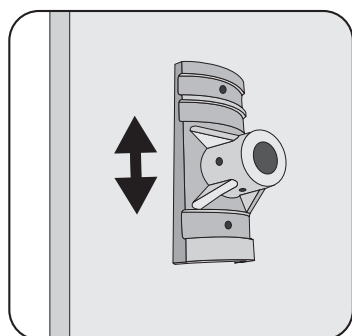
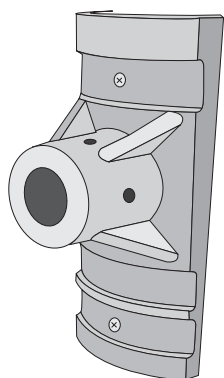
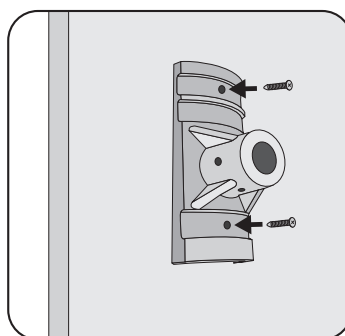


ASSEMBLY INSTRUCTIONS

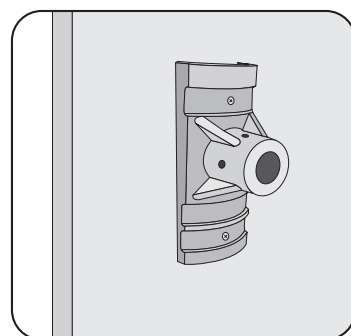
Attaching the Pole Mount



1 Determine the desired height of the wall bracket. Position the top bracket with the tapered end pointing up.

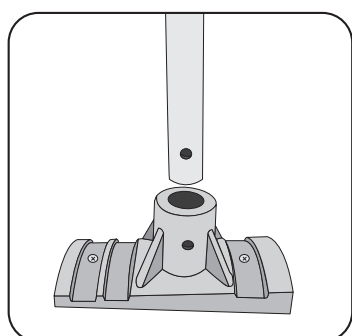
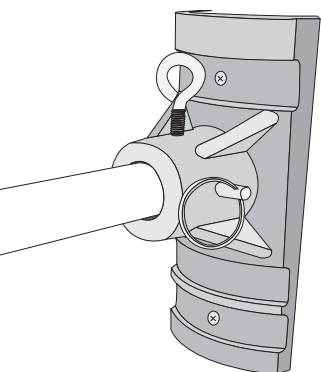


2 Insert screw into holes found at the top and bottom of the pole mount and drill into wall (mounting screws are not included).

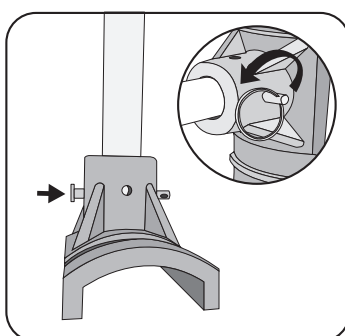


3 Repeat steps 1-2 for bottom bracket, however position the bottom bracket with the tapered end pointing down.

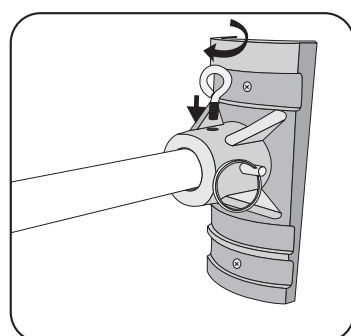
Installing the Pole



1 Insert the pole into the holder on the bracket. Line the hole on the end of the pole with the holes on the side of the pole channel on the bracket.

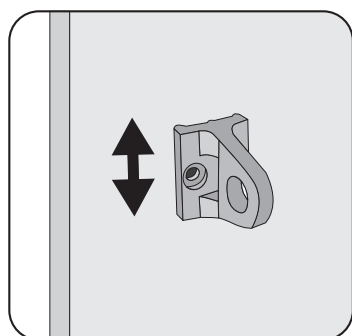
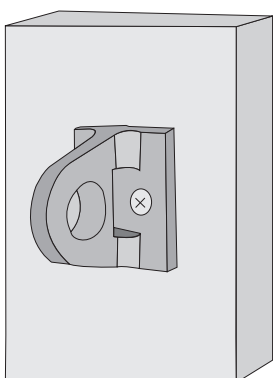


2 Insert the pin through the bracket and the pole. Attach the ring to the hole on pin.

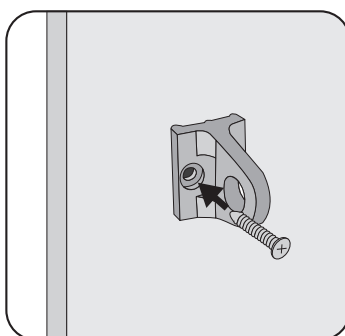


3 Hand tighten the eye bolt in the threaded hole until secure. (Repeat steps 1 to 3 for multiple poles and brackets).

Attaching the D-Bracket

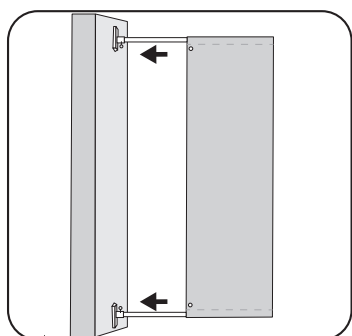
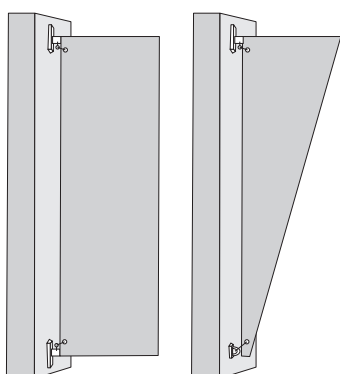


1 Position the bottom D-bracket against the wall.

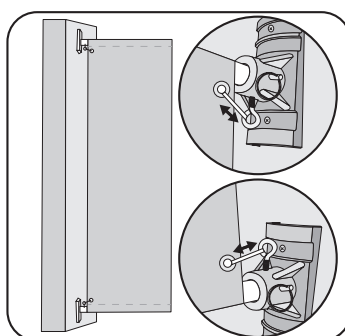


2 Insert screw into holes found on each side of the D-bracket and drill into wall (mounting screws are not included).

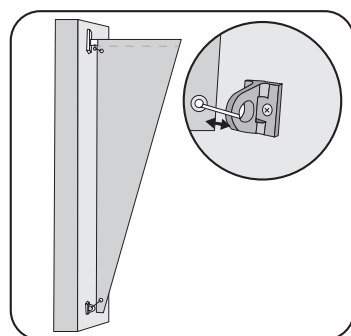
Installing the Graphic



1 Slide the pole pockets onto the poles. You may need to adjust the height of the lower bracket to make banner slightly taut.



2 Thread the zip ties through the grommet on the banner and through the eye of the bolt.



3 To mount graphic to a D-bracket, thread zip tie through loop in D-bracket and through the grommet on the bottom of the banner.