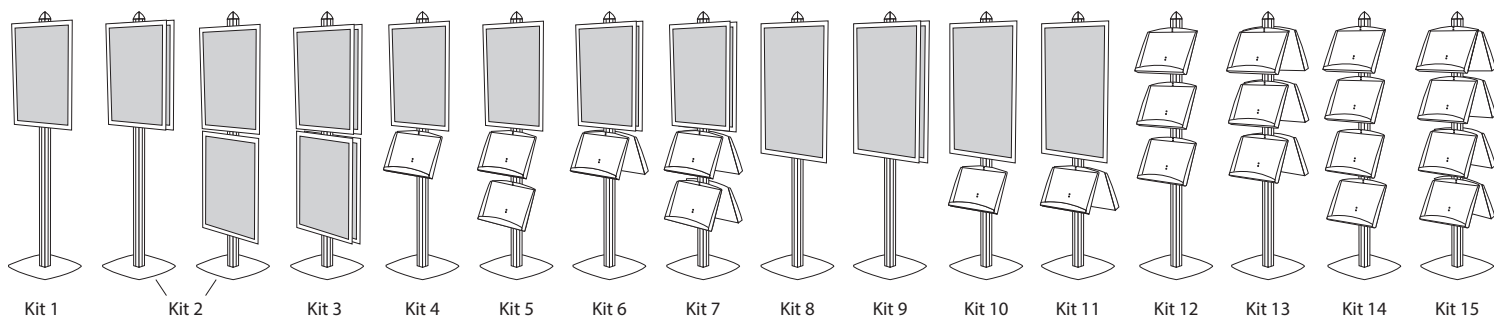
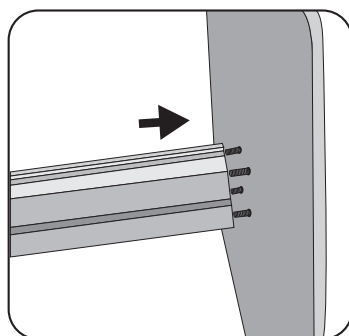
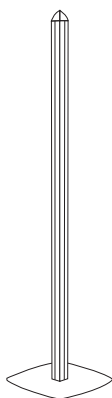


# KIT OPTIONS

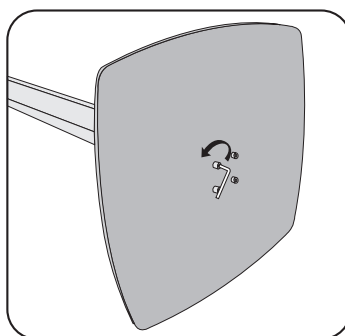


## ASSEMBLY INSTRUCTIONS

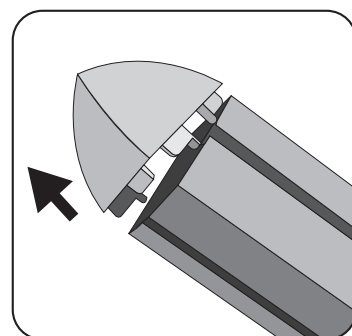
### Attaching the Pole to the Base



**1** Insert the screws through the bottom of the base into the bottom of the pole.

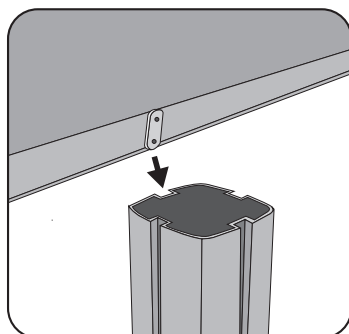
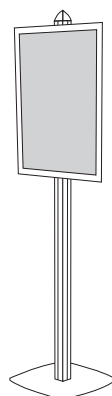


**2** Tighten the screws with the allen wrench provided.

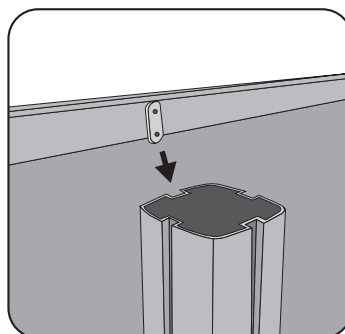


**3** Before attaching accessories, remove cap off the top of the pole.

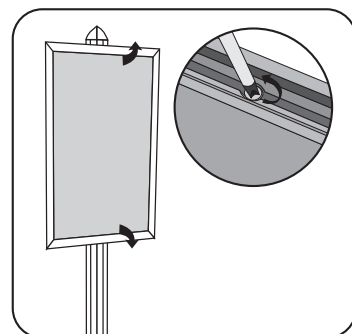
### Attaching the Snap Frames



**1** Slide the bottom of the snap frame into pole channel (nut facing up).

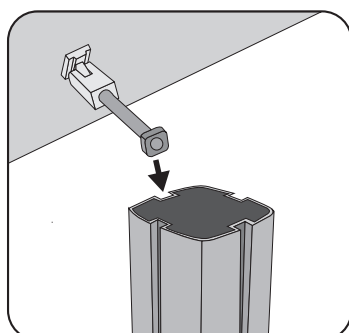


**2** Slide the top of snap frame into pole channel (nut facing down).

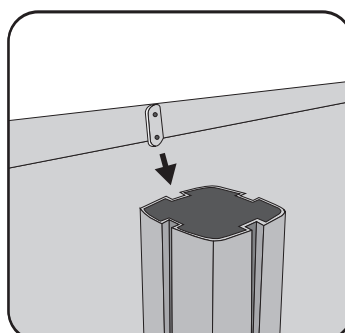


**3** Open the snap profile, and tighten screws at the desired height.

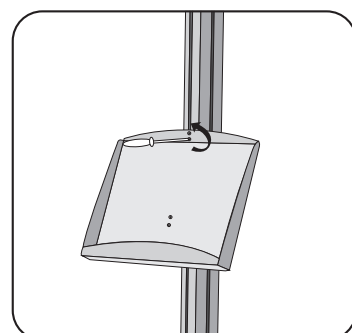
### Attaching the Literature Holder



**1** Slide arm into the channel on the base.



**2** Slide the top of literature holder into pole channel (nut facing down).



**3** Tighten screws at the desired height.