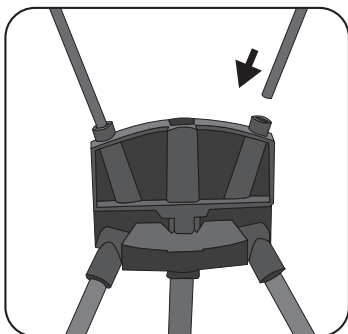
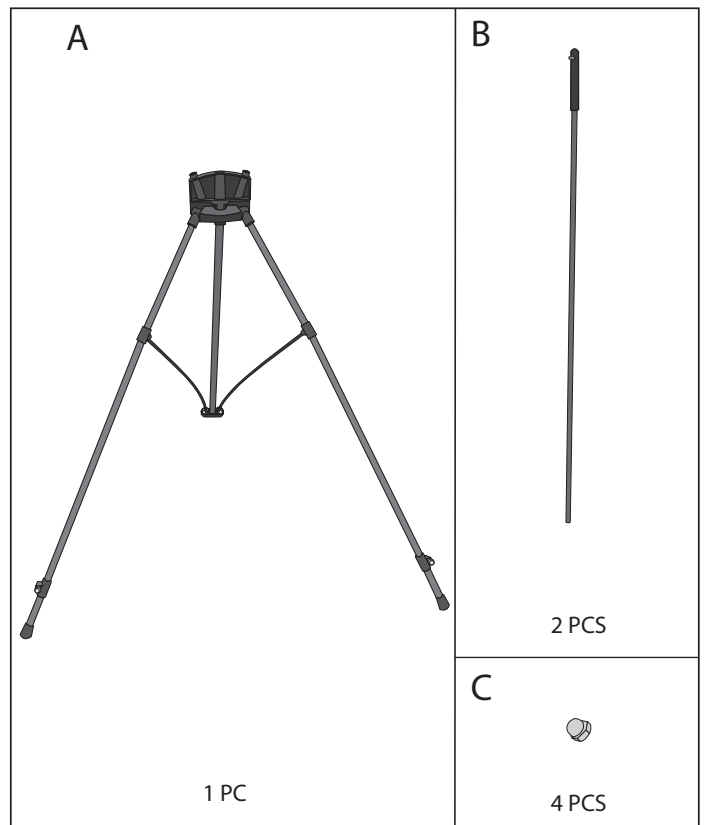
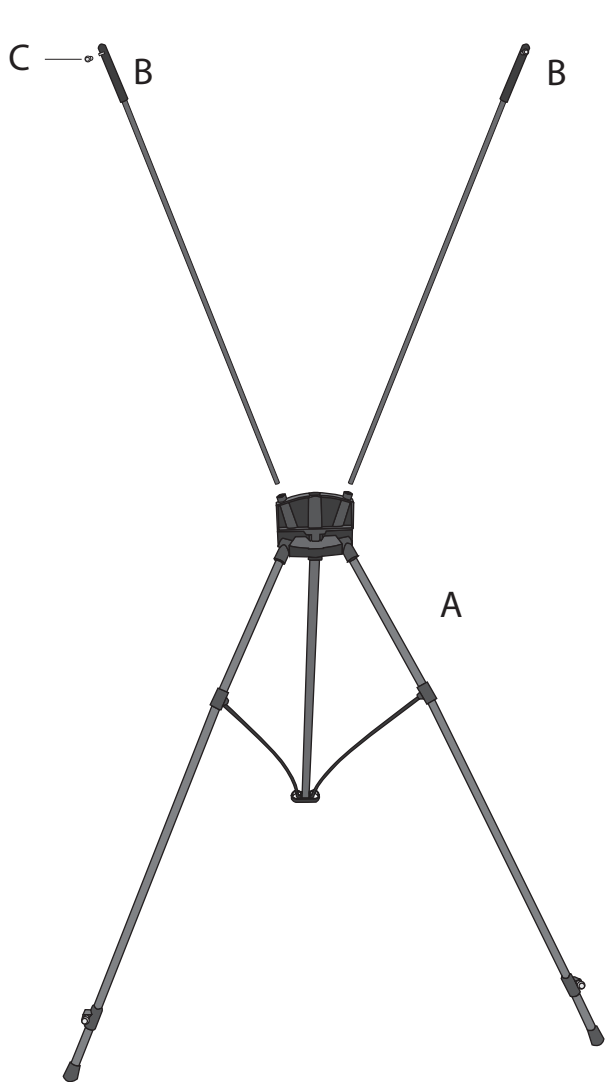
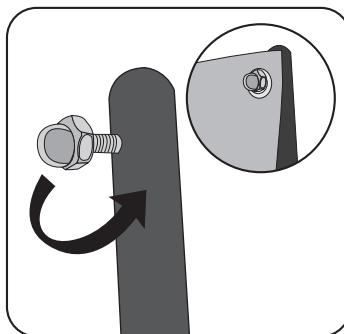


ASSEMBLY INSTRUCTIONS

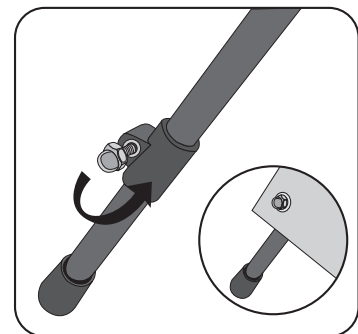
COMPONENTS:



1 Insert top arms with hooks into body of display. Nuts should be facing towards front of display.



2 Unscrew the acorn nuts found on the tension arms and hang the top of the graphic from the the pegs. Once done reattach the nuts.



3 Unscrew the acorn nuts found on the base and hang the bottom of the graphic from the the pegs. Once done reattach the nuts.